

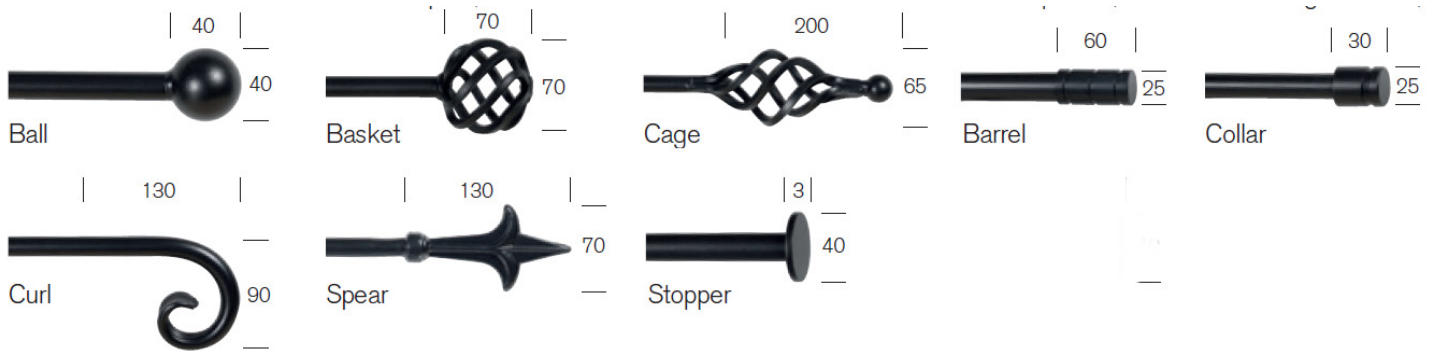
MERRICK & DAY

METAL CURTAIN POLES TECHNICAL DETAILS

19MM METAL POLES

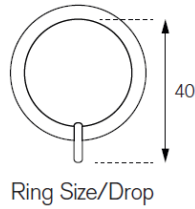
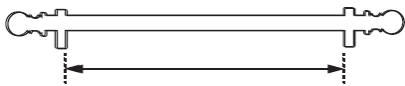
All dimensions in millimetres unless otherwise stated

FINIALS Finial slides into main pole, hence curl and ball finial can be made shorter if required (Ball minimum length 50mm).

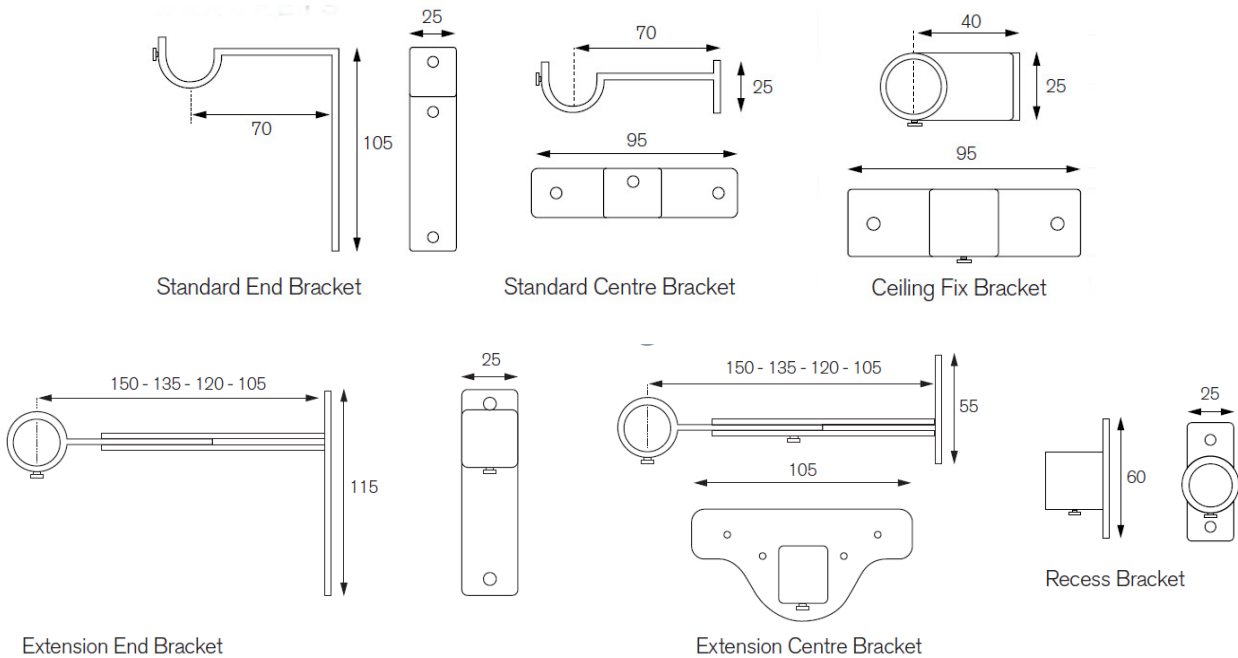


POLE LENGTH

Maximum single pole length 2.4m span without central bracket 2.0m/78"



BRACKETS



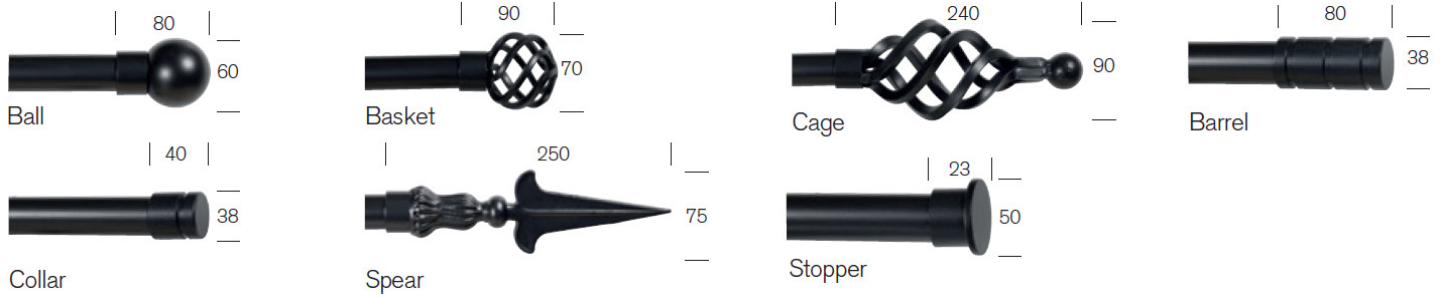
MERRICK & DAY

METAL CURTAIN POLES TECHNICAL DETAILS

32MM METAL POLES

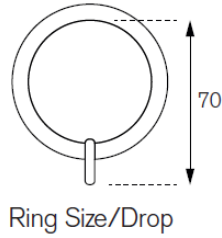
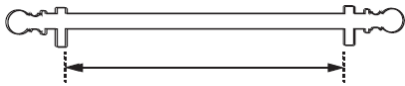
All dimensions in millimetres unless otherwise stated

FINIALS

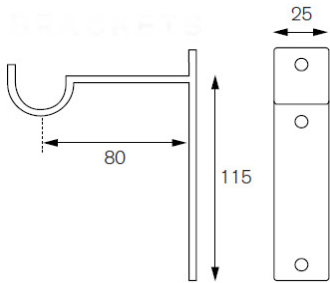


POLE LENGTH

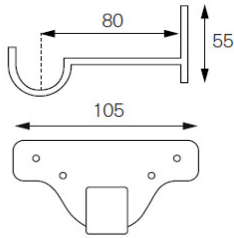
Maximum single pole length / span without central bracket 2.4m/94"



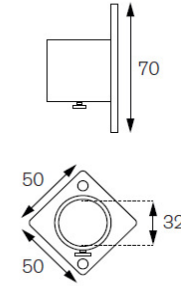
BRACKETS



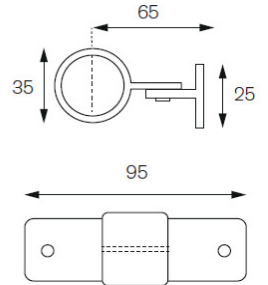
Standard Pole End Bracket



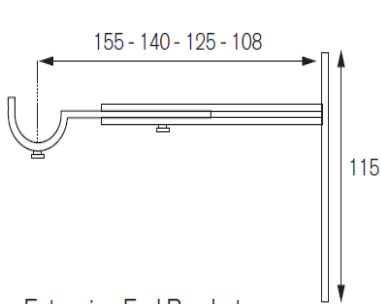
Standard Pole Centre Bracket



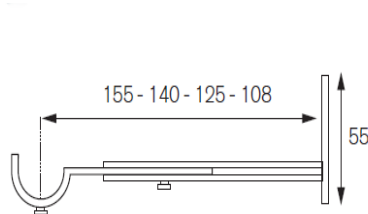
Recess Bracket



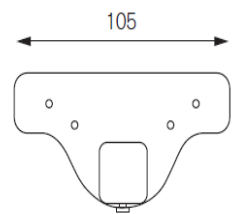
Ceiling Fix Bracket



Extension End Bracket



Extension Centre Bracket



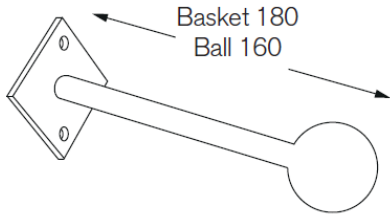
MERRICK & DAY

METAL CURTAIN POLES TECHNICAL DETAILS

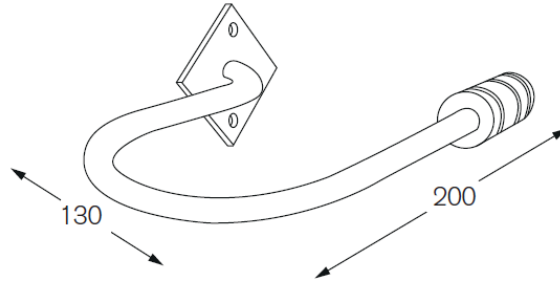
ACCESORIES

All dimensions in millimetres unless otherwise stated

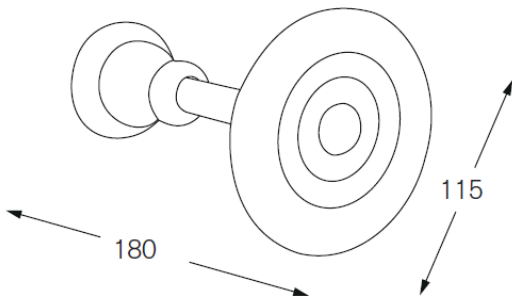
HOLDBACKS



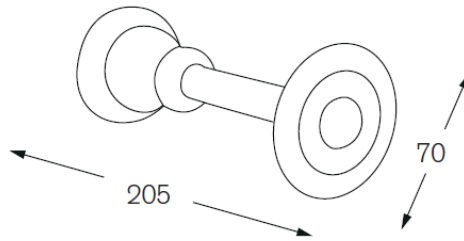
Ball and Basket Post Holdback



Dimensions for all Metal Holdbacks
(available with every finial except Stoooper and Spear)



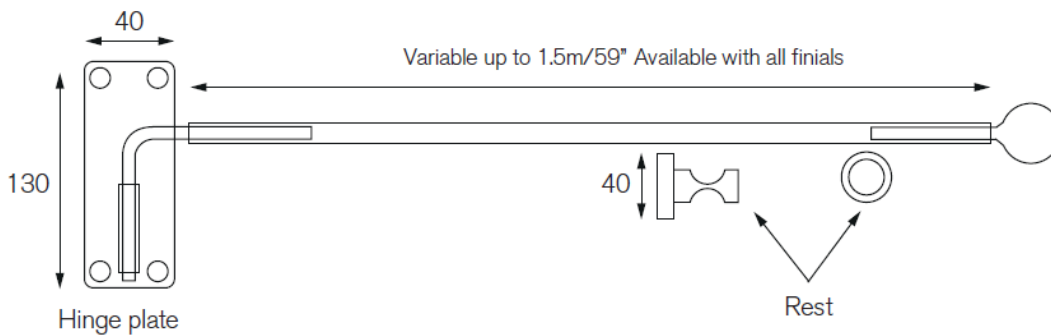
Large Wooden Holdback



Small Wooden Holdback

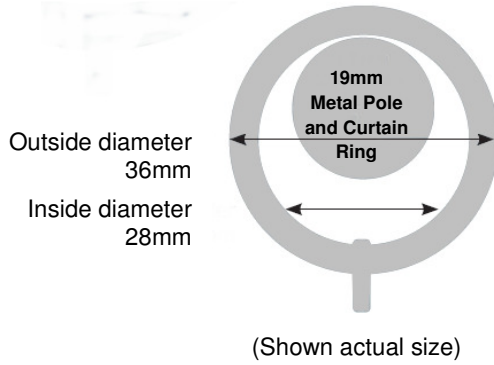
PORTIERE RODS

For use over doors and with dormer windows
Hinge plate, pole, finial, rings and 2 x rests



MERRICK & DAY

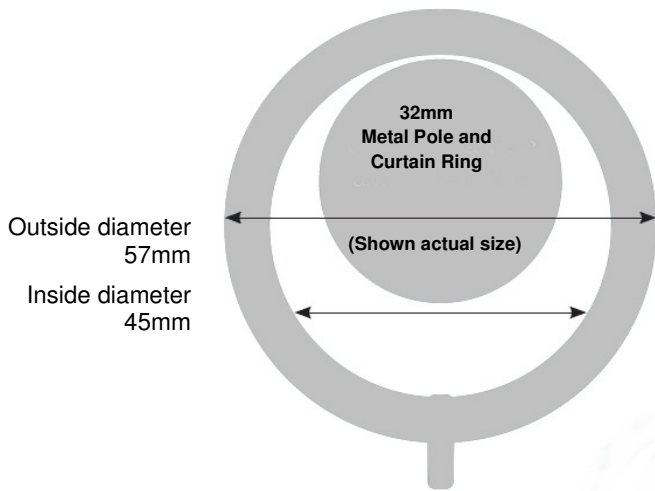
METAL CURTAIN POLES TECHNICAL DETAILS



19mm Metal Poles

Maximum span between brackets 2.0m (78")

Maximum Single Pole length 2.4m (94")



32mm Metal Poles

Maximum span between brackets 2.0m (78")

Maximum Single Pole length 2.4m (94")

DRAW RODS

