

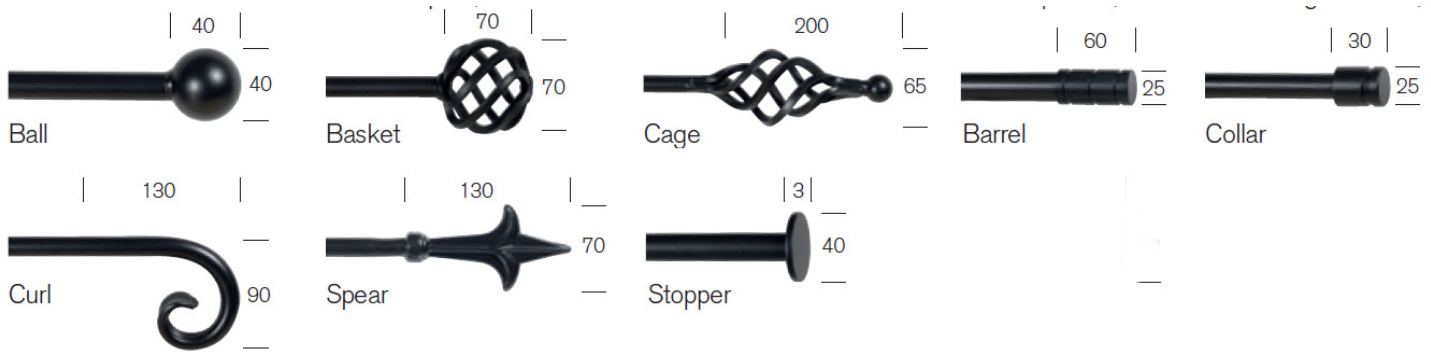
# MERRICK & DAY

METAL CURTAIN POLES TECHNICAL DETAILS

## 19MM METAL POLES

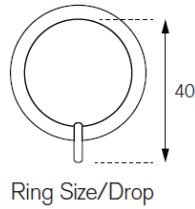
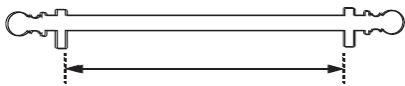
All dimensions in millimetres unless otherwise stated

**FINIALS** Finial slides into main pole, hence curl and ball finial can be made shorter if required (Ball minimum length 50mm).

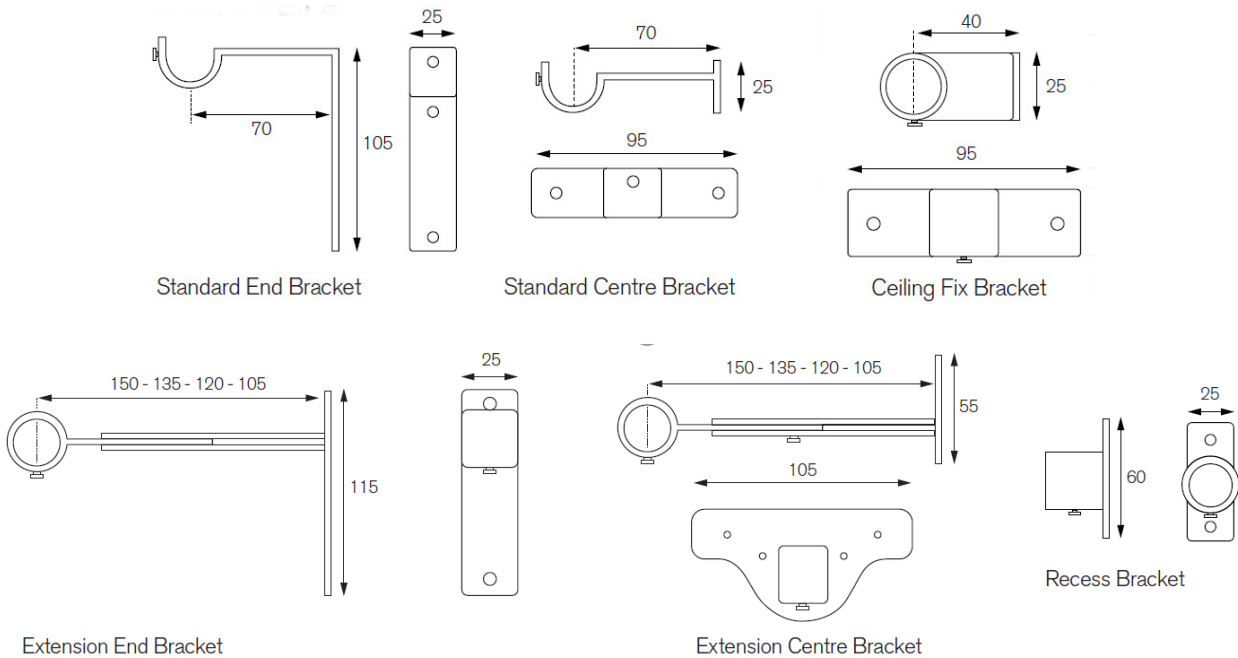


### POLE LENGTH

Maximum single pole length 2.4m span without central bracket 2.0m/78"



### BRACKETS



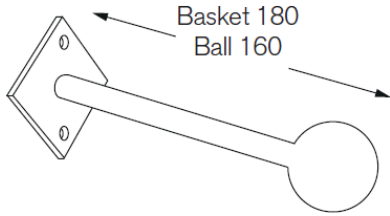
# MERRICK & DAY

METAL CURTAIN POLES TECHNICAL DETAILS

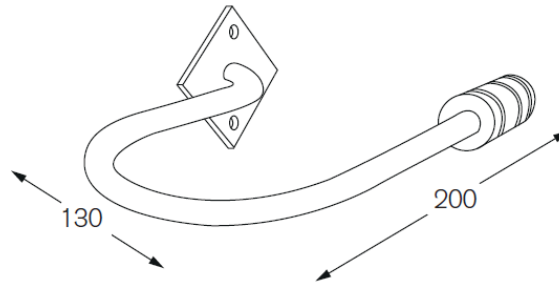
## ACCESSORIES

All dimensions in millimetres unless otherwise stated

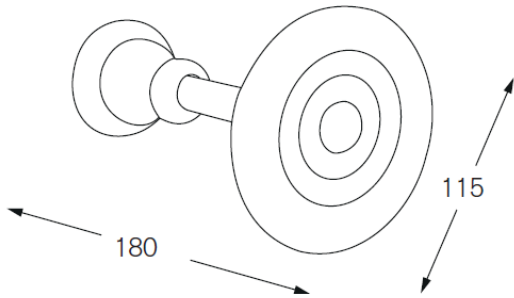
### HOLDBACKS



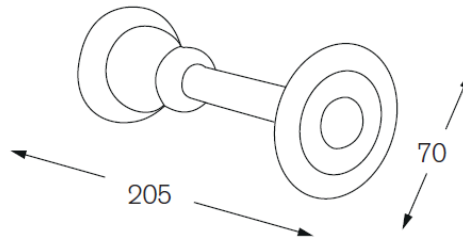
Ball and Basket Post Holdback



Dimensions for all Metal Holdbacks  
(available with every finial except Stoooper and Spear)



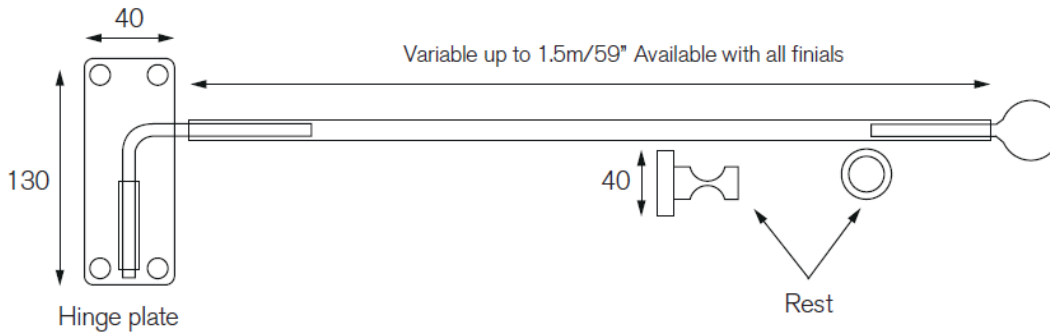
Large Wooden Holdback



Small Wooden Holdback

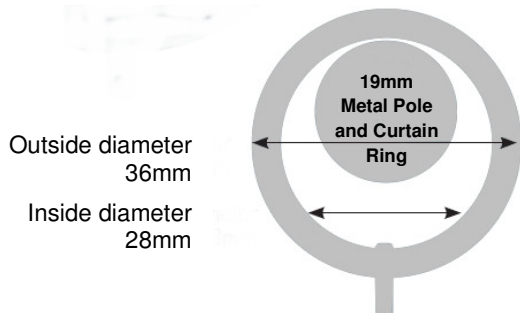
### PORTIERE RODS

For use over doors and with dormer windows  
Hinge plate, pole, finial, rings and 2 x rests



Hinge plate

Rest



Outside diameter  
36mm

Inside diameter  
28mm

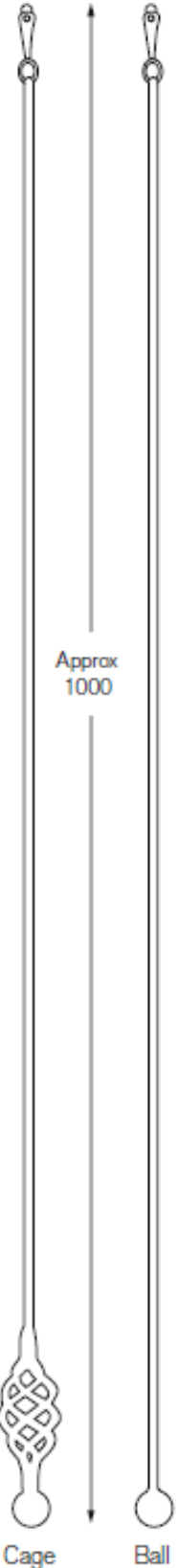
(Shown actual size)

### 19mm Metal Poles

Maximum span between  
brackets 2.0m (78")

Maximum Single Pole  
length 2.4m (94")

### DRAW RODS



Approx  
1000

Cage

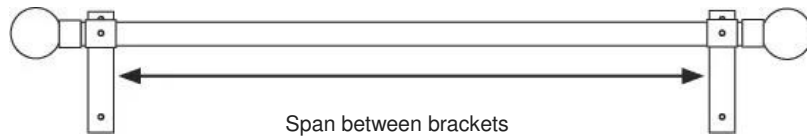
Ball

# MERRICK & DAY

## POLE/TRACK WEIGHT GUIDELINES

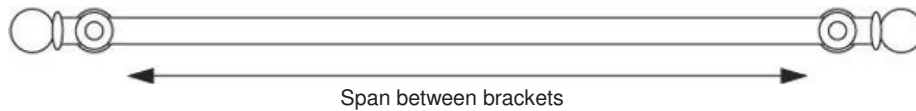
Our maximum recommended loadings are total curtain weight based on a combination of pole/track type and span between brackets

### METAL



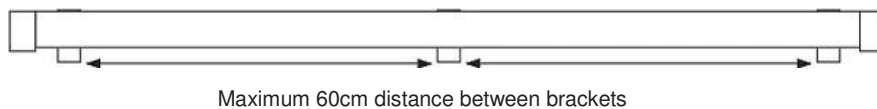
	Upto 1.5 m	Upto 2.0 m	Upto 2.4 m	Upto 3.0 m
19mm poles	5kg	3kg	<b>N/A</b>	<b>N/A</b>
32mm poles	12kg	10kg	5kg	3kg

### WOOD



	Upto 1.5 m	Upto 1.8 m	Upto 2.4 m
35mm poles	8kg	6kg	<b>N/A</b>
50mm poles	15kg	12kg	6kg
63mm poles	25kg	20kg	10kg

### TRACK



Metal Elegance  
Both Straight & Bendable

10kg per metre (Unlimited Length)