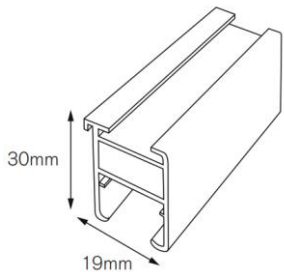


MERRICK & DAY

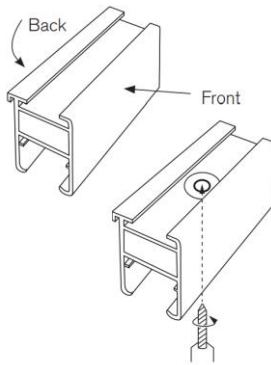
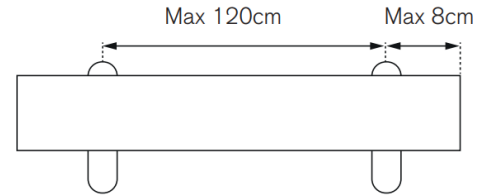
METAL ELEGANCE TRACKS - TECHNICAL DETAILS and FITTING INSTRUCTIONS

METAL ELEGANCE TRACKS



Top fix or face fix kg/m with standard brackets 15kg/m with heavy duty brackets

BRACKET SPACING

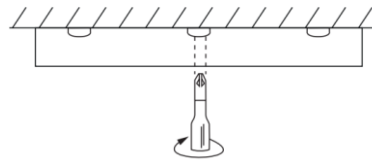


TOP FIXING

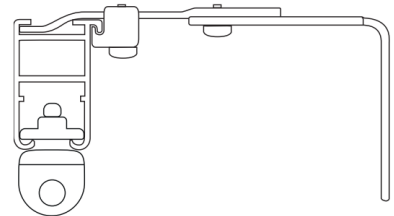
Fit track directly to ceiling or top board, using pre-drilled holes

Drill using drill guide and 4mm drill-bit (supplied) or order pre-drilled from us

No brackets required

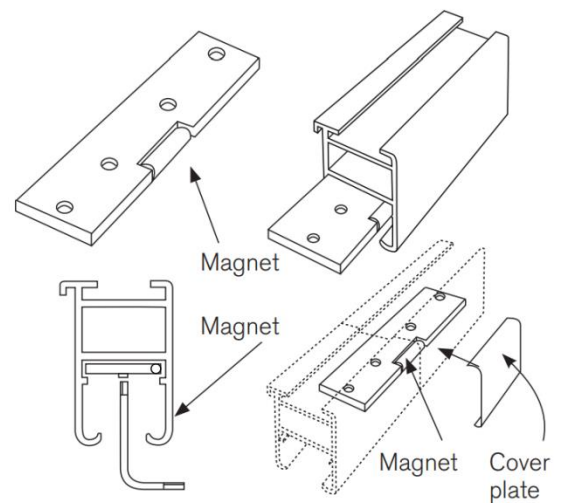


FACE FIX BRACKETS



STRAIGHT JOINER

Ensure magnet is at the front of the track so that the cover plate will locate correctly

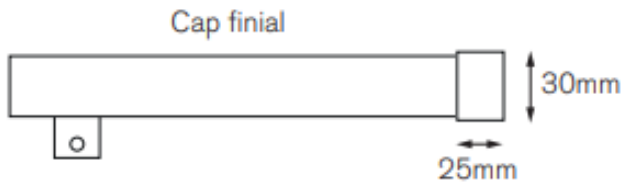
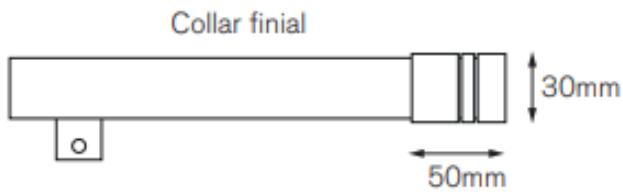
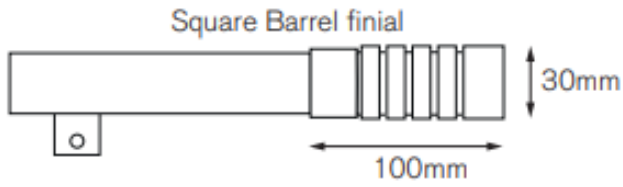


MERRICK & DAY

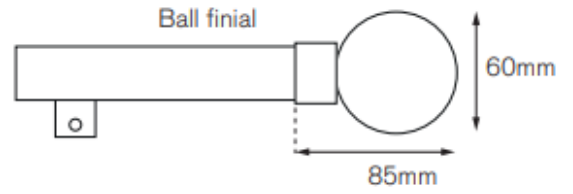
METAL ELEGANCE FINIALS

The finials below are for METAL ELEGANCE tracks.

Suitable for use with top fix

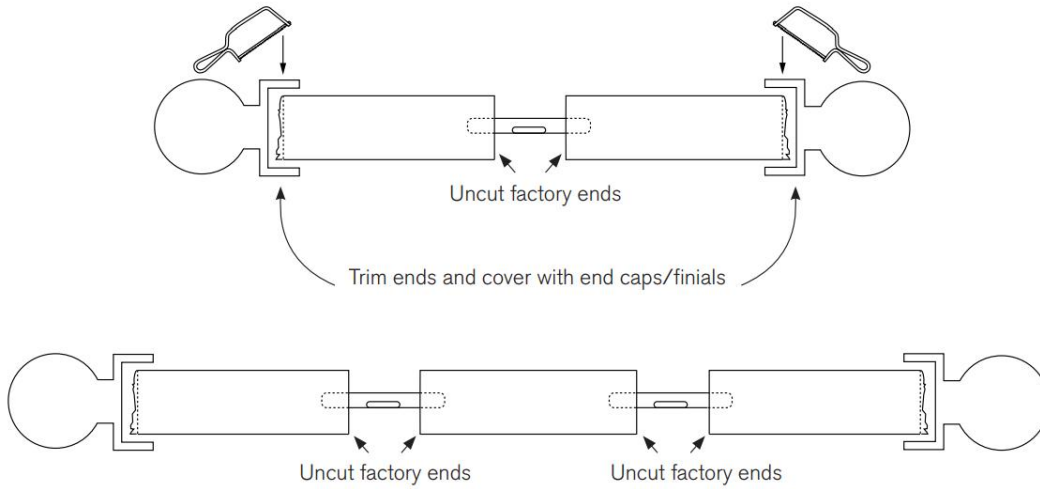


NOT Suitable for use with top fix



JOINING METAL ELEGANCE TRACKS

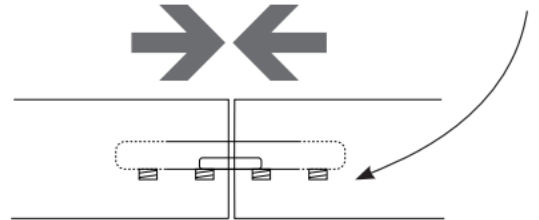
- 1 Join together factory cut ends and trim off the excess at track ends only



- 2 Place a support bracket as close as possible to the join

- 3 Ensure the joins are butted together tightly before tightening lock screws

With careful installation gliders will smoothly pass over the track joins. There is no limit to maximum track length



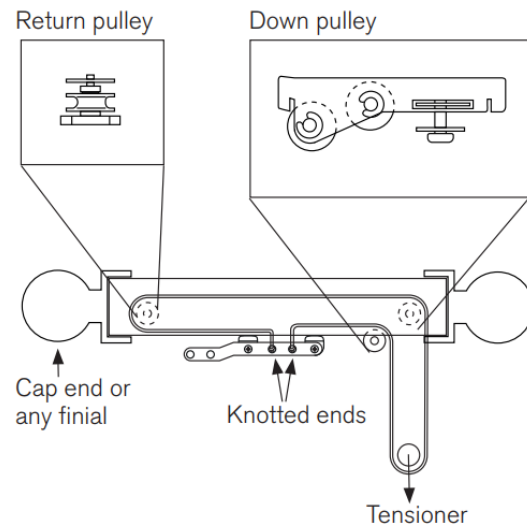
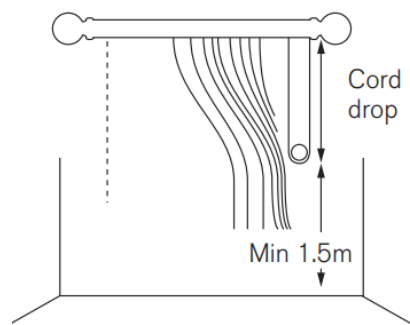
MERRICK & DAY

METAL ELEGANCE TRACKS - CORDING INSTRUCTIONS

SINGLE CORD, SINGLE CURTAIN

For a single curtain you will need in addition to hand-drawn components:

- 1 x down pulley
- 1 x return pulley
- 1 x cord tensioner
- 1 x overlap arm
- cord (2 x track length and 2 x cord drop)



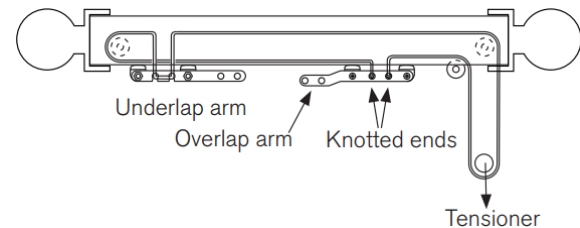
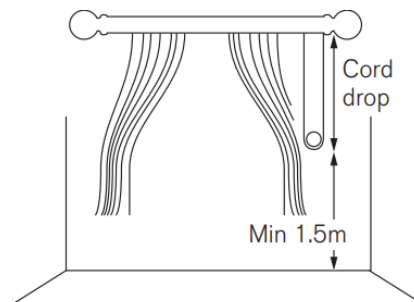
Note: Child safety regulations state:

Cord loop should be installed at least 1.5m from the floor

SINGLE CORD, PAIR OF CURTAINS

For a pair of curtains controlled by a single cord you will need:

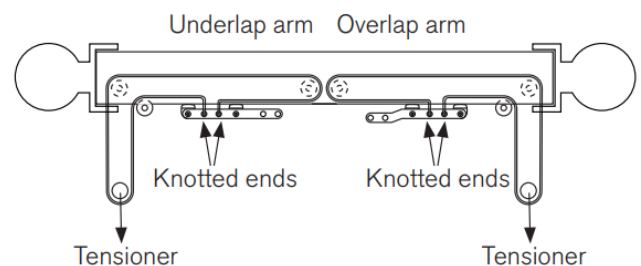
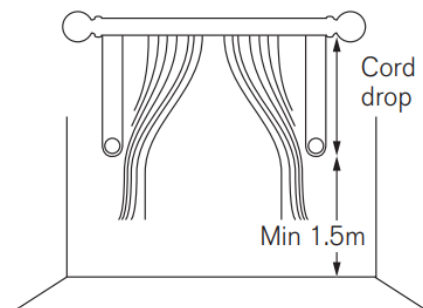
- 1 x down pulley
- 1 x return pulley
- 1 x cord tensioner
- 1 x overlap arm
- 1 x underlap arm
- cord (2 x track length and 2 x cord drop)



DUAL CORD, PAIR OF CURTAINS

For a dual controlled pair of curtains, you will need:

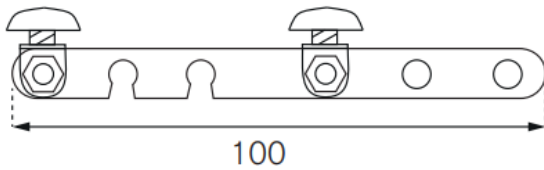
- 2 x down pulleys
- 2 x return pulleys
- 2 x cord tensioners
- 1 x overlap arm
- 1 x underlap arm
- cord (2 x track length and 4 x cord drop)



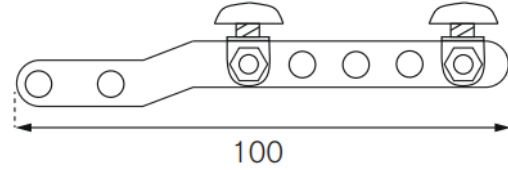
MERRICK & DAY

OVERLAP ARM AND UNDERLAP ARM DIMENSIONS

Underlap

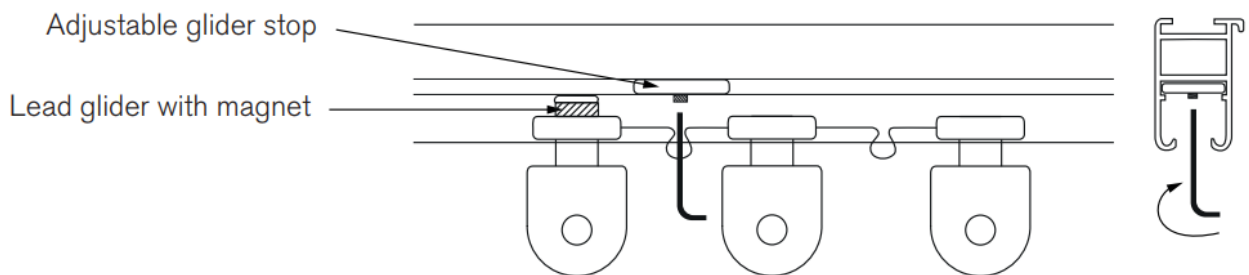


Overlap



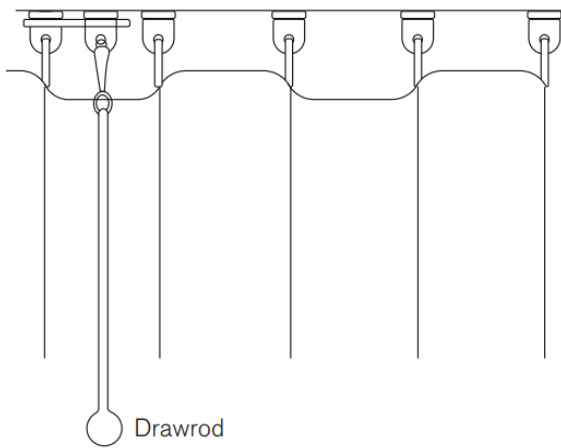
METAL ELEGANCE GLIDERS

MAGNETIC GLIDER BRAKE to ensure curtains stay stacked back

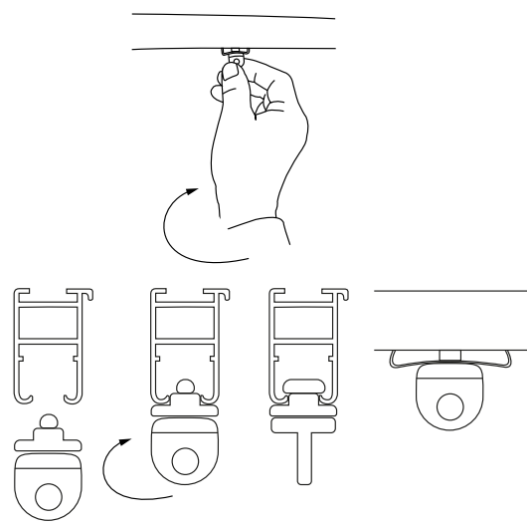


DRAWROD CARRIER

Drawrod carrier

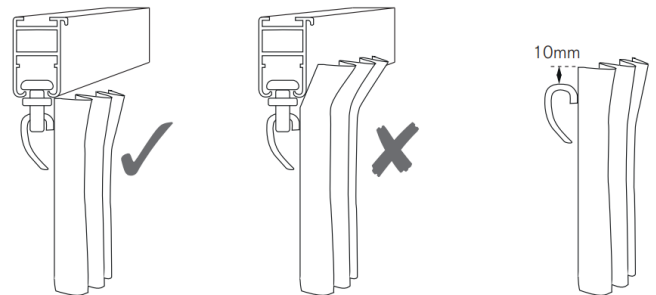


TWIST STOP ENDS



CURTAIN HEADINGS

We recommend curtain headings should be underslung to ensure the best operation of the curtains

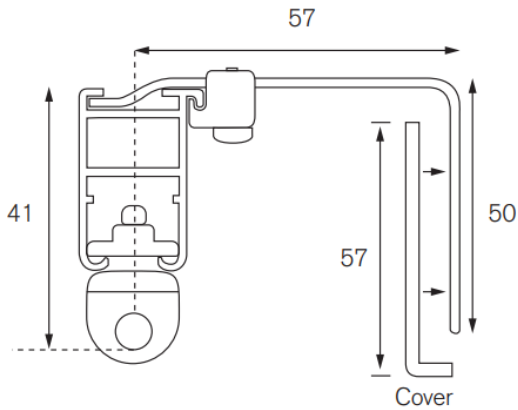


MERRICK & DAY

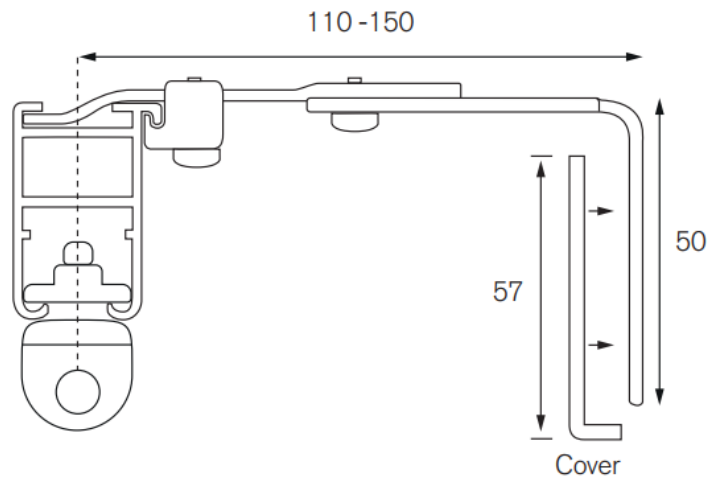
BRACKETS DIMENSIONS

FACE FIX BRACKETS

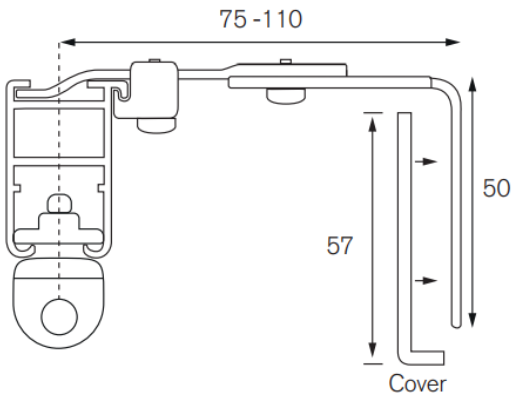
(All dimensions are in mm)



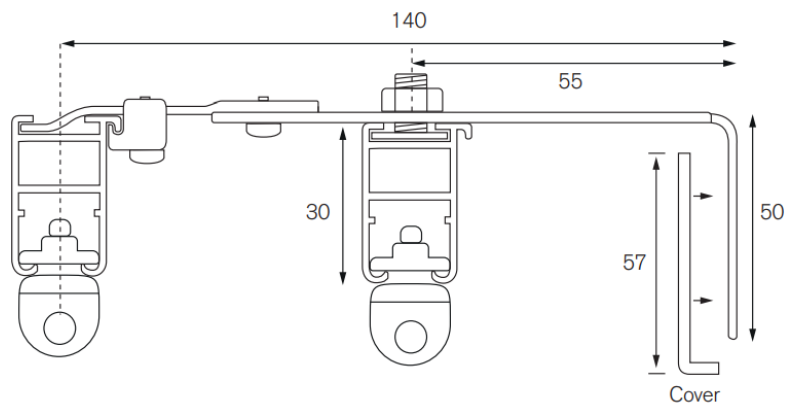
Standard bracket



Heavy duty adjustable 110-150 bracket



Heavy duty adjustable 75-110 bracket



Double track bracket

DIRECT CEILING FIX

